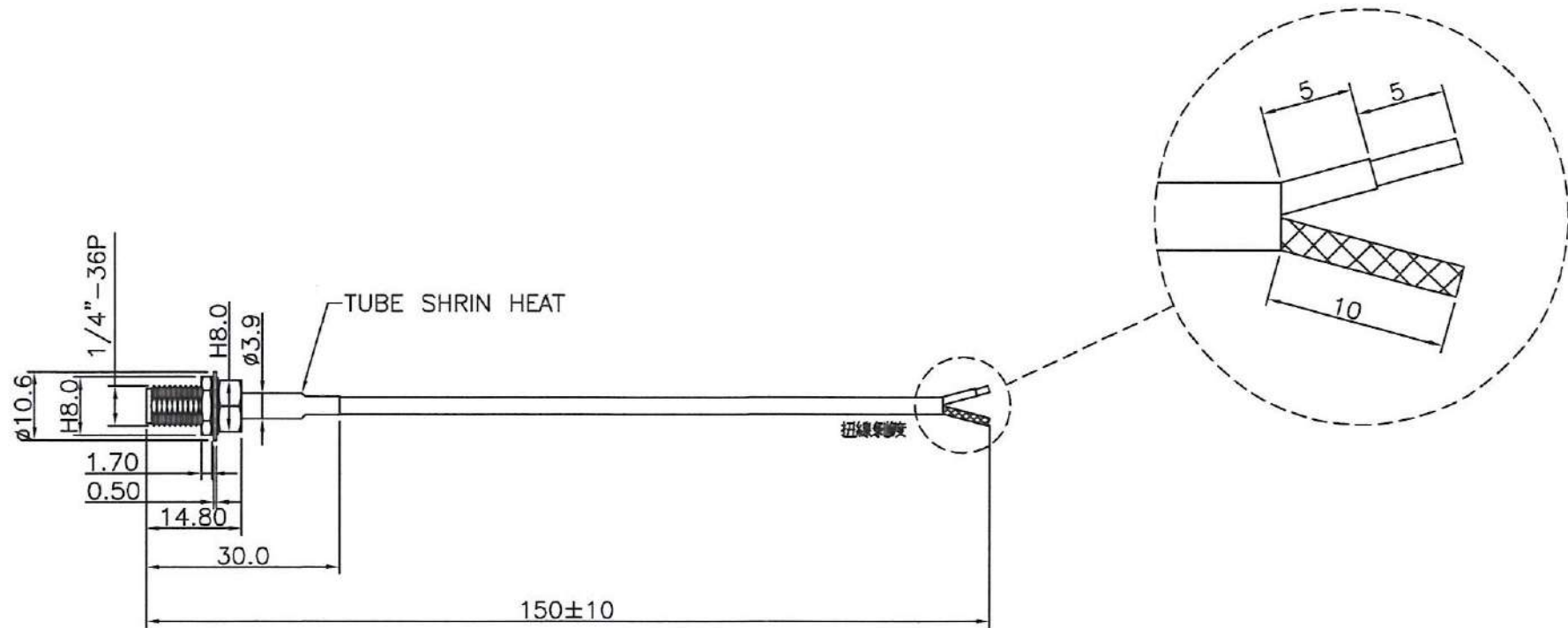


Cable	RG174/U
OD	ø2.7±0.15mm
Cover	Black
SMA(FE)	GOLD

**ROHS**

ISO 9001  
ISO 14001



Material:		Treatment:		竣茂工業有限公司 Chinmore Industry CO .LTD			
Drawer	Design	Aprov	Tolerance	Unit: mm		TITLE	SMA(FE)+RG174/U(宇字轉鐵)
			X=±0.5 X=±0.2 XX=±0.1 .XXX=±0.05	Ver: A	Scale 1:1	Model NO	WIREAC1145
Part NO	EG-SMAFRG174-1005			File NO: QR0402	Drawing NO	100-23005-0053-1	

NO	DESCRIPTION	MATERIAL	FINISH	Q'TY
Part NO	EG-SMAFRG174-1005			