



CHINMORE INDUSTRY CO.,LTD

Specification

1. Type: Rubber Stubby Antenna for GSM
2. *Chinmore's* No.: EM-25.5X78.5-598L
3. Frequency:824~960MHz/1700~1880MHz
4. Impedance: 50 Ω
5. Operation Temperature Range: -30°C ~+60°C
6. Storage Temperature Range: -30°C ~+70°C
7. VSWR: 2.0:1
8. Gain: 2 dBi
9. Connector: 90° Hinged R/A SMA (M)
10. Return Loss:-6 dBi Max
11. Polarization: Vertical
12. Radiation: Omni-directional

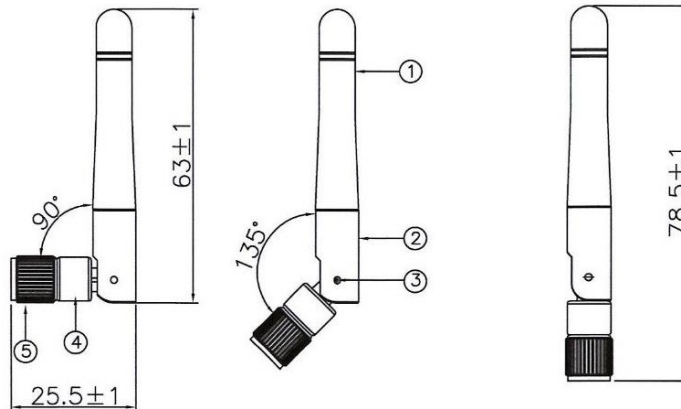
✘RoHS Compliant

✘ISO 9001 & ISO 14001

Frequency	824~960MHz
	1700~1880MHz
Impedance	50Ω
V.S.W.R	4.0:1
Gain	2dB

ROHS

ISO 9001
ISO 14001

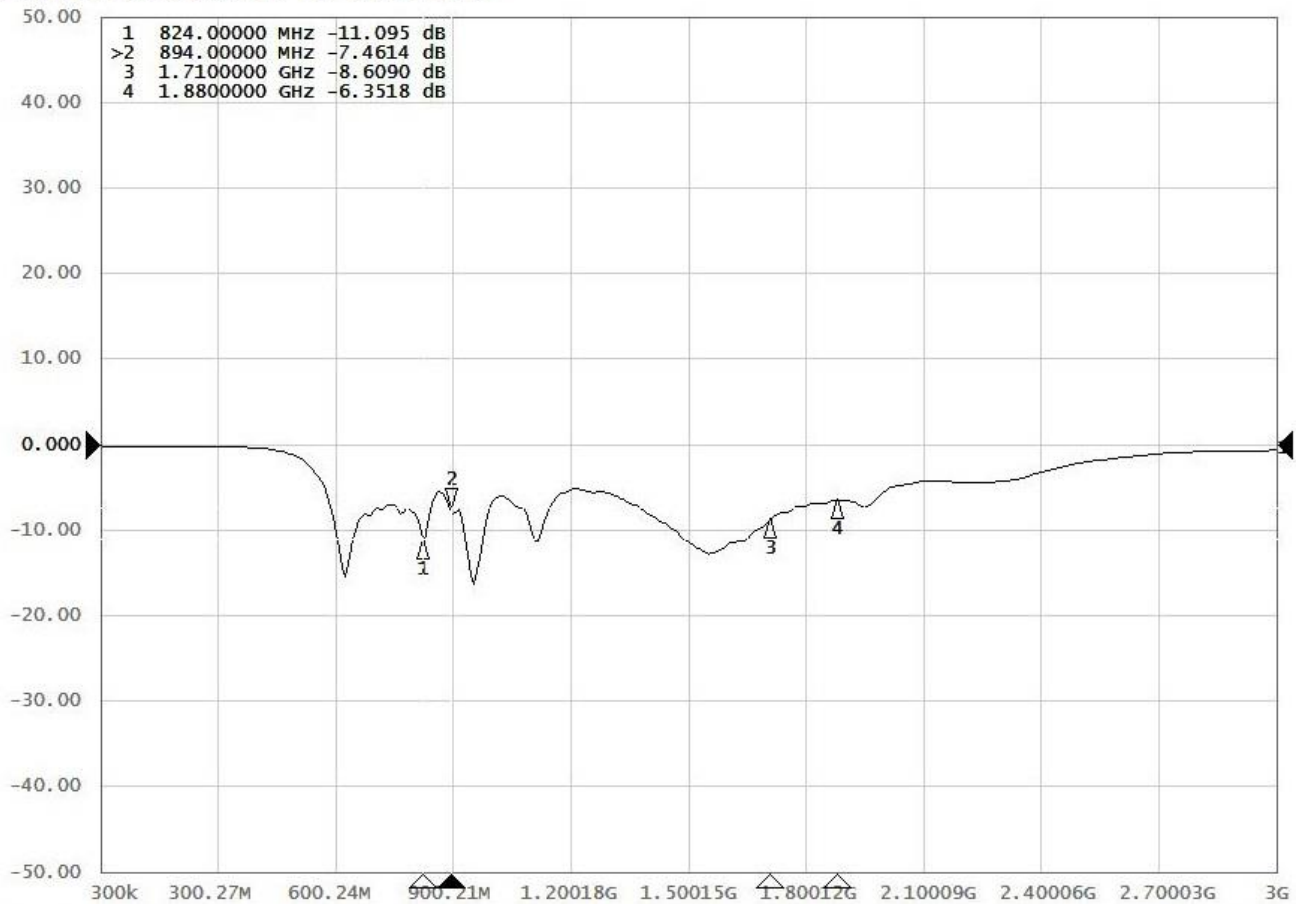


5	SMA Connector	Ni / Plated	1								
4	Bottom Base	PBT / Black	1								
3	Rivet	POM / Black	2								
2	Upper Base	PC / Black	1								
1	Antenna Cap	TPE / Black	1								
NO	DESCRIPTION	MATERIAL / FINISH	QTY	Material:	Design	Aprov	Tolerance	Unit:	mm	TITLE	GSM Antenna
							X=±0.5 Y=±0.2 Z=±0.1 XXX=±0.05	Ver:	A	Scale 1:1	Model NO
Part NO	EM-25.5X78.5-598L							File NO:	QR0402	Drawing NO	515-008

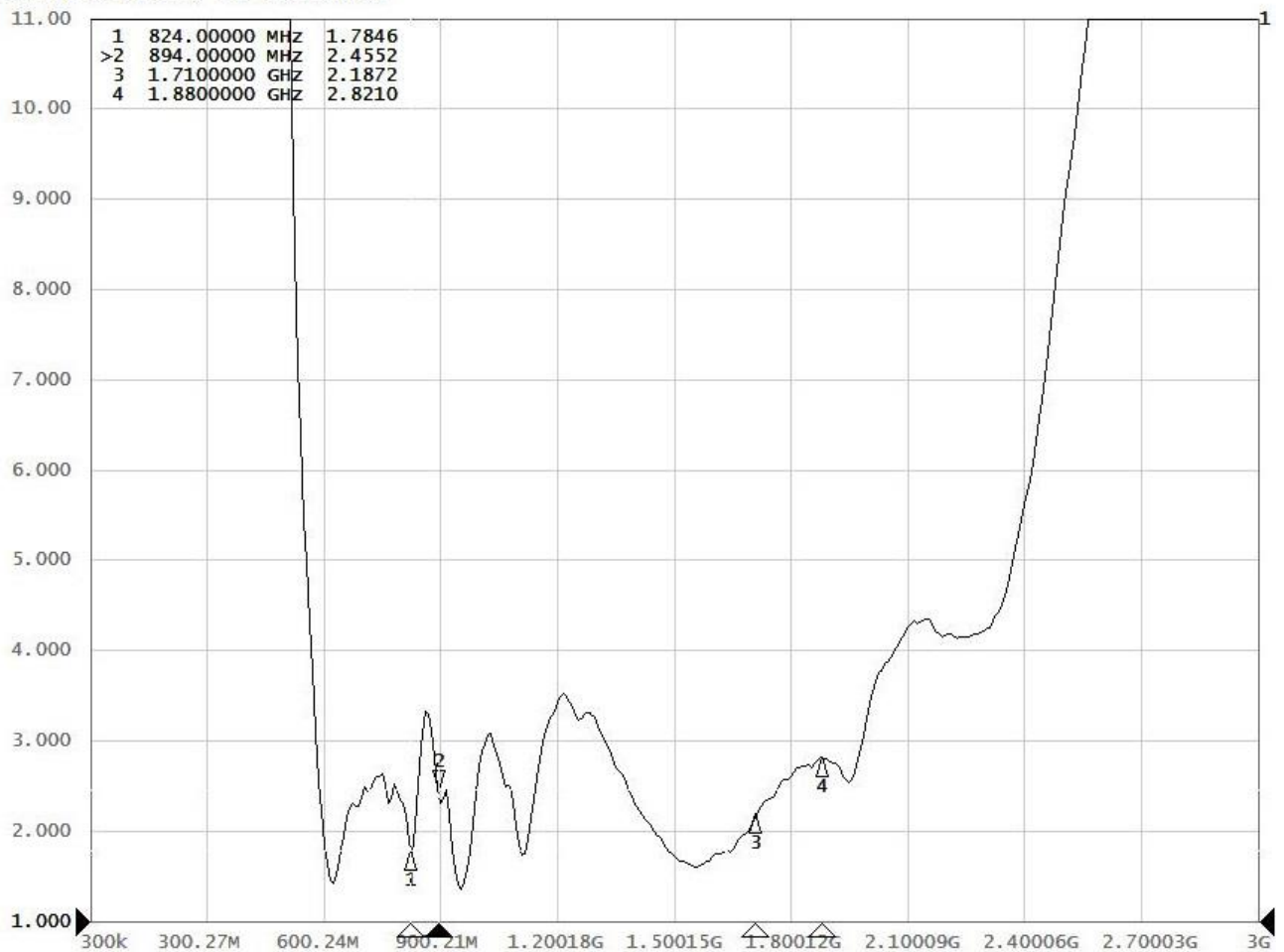
Frequency (MHz)	Return Loss (dBi)	VSWR
824 MHz	-11.09	1.78
894 MHz	-7.46	2.45
1710 MHz	-8.60	2.18
1880 MHz	-6.35	2.82

Test Data(Return Loss & VSWR)

▶ **Tr1** S11 Log Mag 10.00dB/ Ref 0.000dB [Ro]



▶ **Tr1** S11 SWR 1.000/ Ref 1.000 [Ro]



Gain Test

*Antenna
Radiation
Pattern
VS
Gain*

