



CHINMORE INDUSTRY CO.,LTD

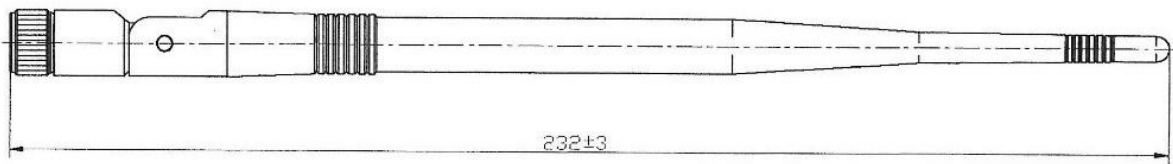
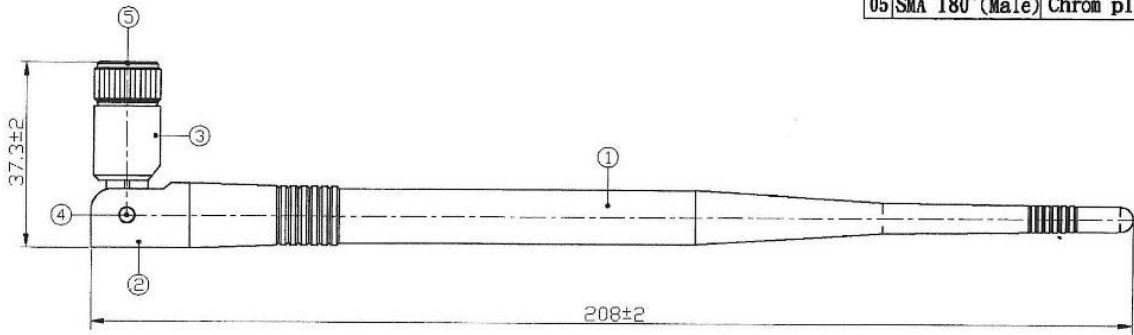
*Specification*

1. Rubber Stubby Antenna for 868 MHz
2. *Chinmore's* No: EM-W117RANT0-421
3. Frequency: 868 MHz
4. VSWR: 2.0:1
5. Impedance: 50  $\Omega$
6. Connector: 90° Hinged SMA (M) ST
7. Color: Black
8. Operating Temperature Range: -20°C ~+60°C
9. Storage Temperature Range: -30°C ~+70°C


*✘RoHS Compliant*

*✘ISO 9001 & ISO 14001*

NO.	NAME	FINISH	Q, TY
01	Core tube	Black	01
02	Fixed upper	Black	01
03	Fixed beneath	Black	01
04	Rivet	Chrom plating	02
05	SMA 180°(Male)	Chrom plating	01

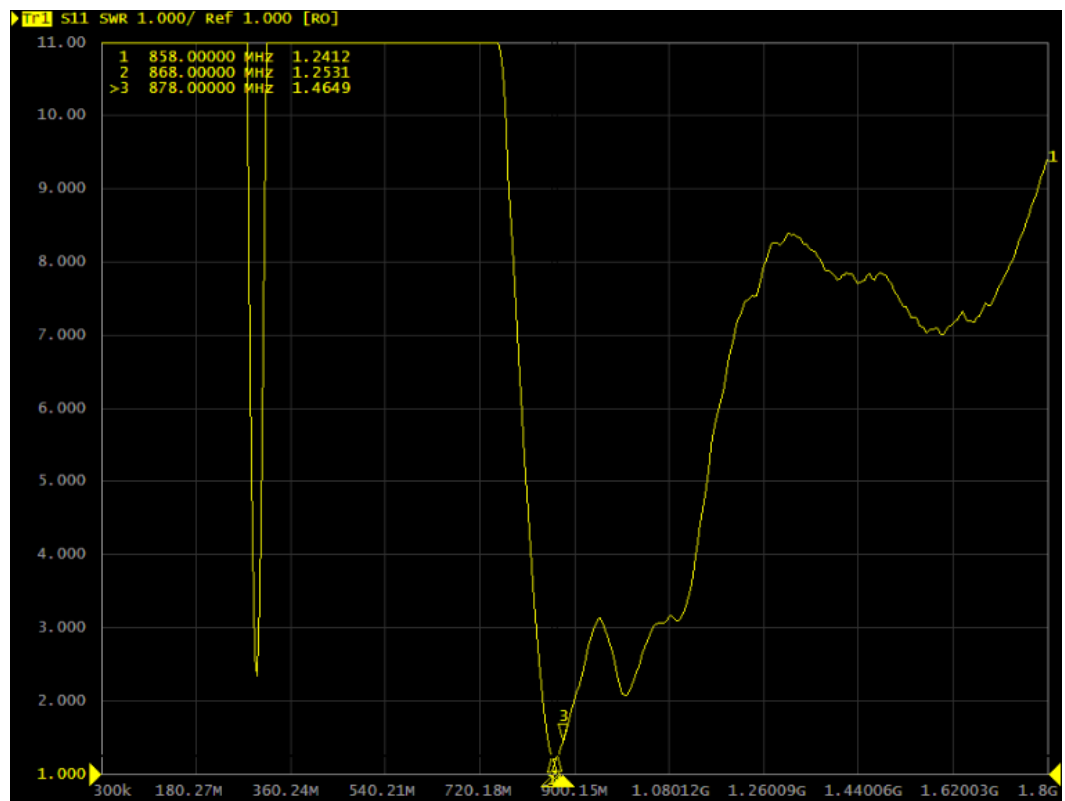
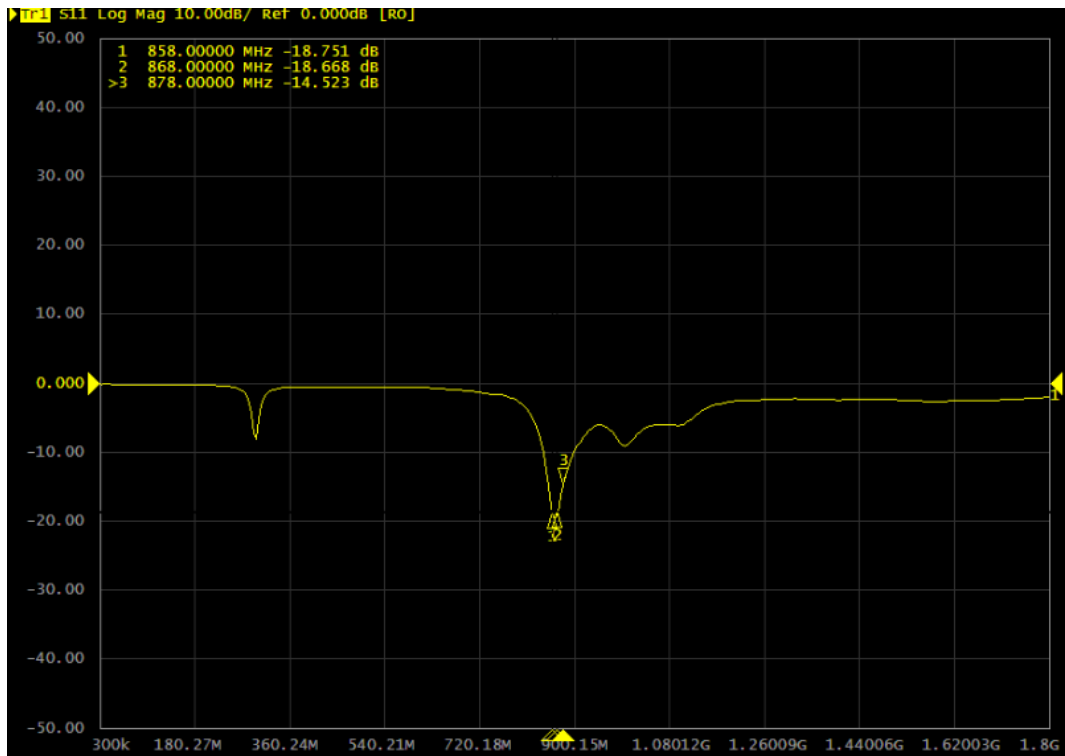


EM-W117ANT0-421

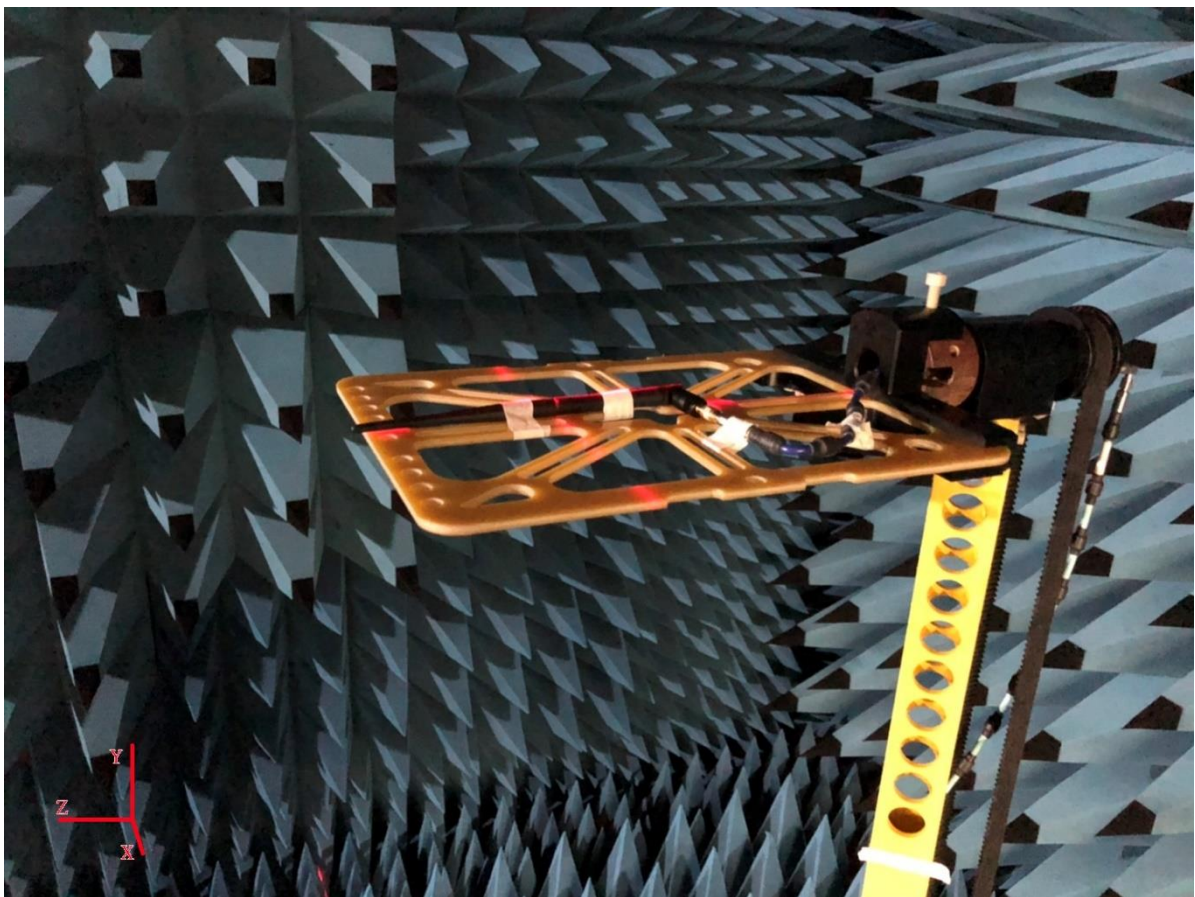
 Third angle projection 峻茂工業有限公司	CUSTOMER'S	MODEL	PARTS NUMBER	FREQUENCY	UNIT	SCALE	DATE	VERSION
				868MHz(3dBi)	M/M		20120523	1
	TOLERANCE	X.XX±0.15	NAME	PARTS NUMBER	APPROVED	CHECKED	DRAWING	DESIGNED
	SURFACE ROUGHNESS	S VV	APPEARANCE	EA-117R	01-12-19 陳文基		01-12-19 陳俊帆	

Frequency (MHz)	Return Loss (dB)	VSWR	Efficiency (%)	Gain (dBi)
858	-18.75	1.24	64.12	1.24
868	-18.66	1.25	70.96	1.79
878	-14.52	1.46	68.08	1.7

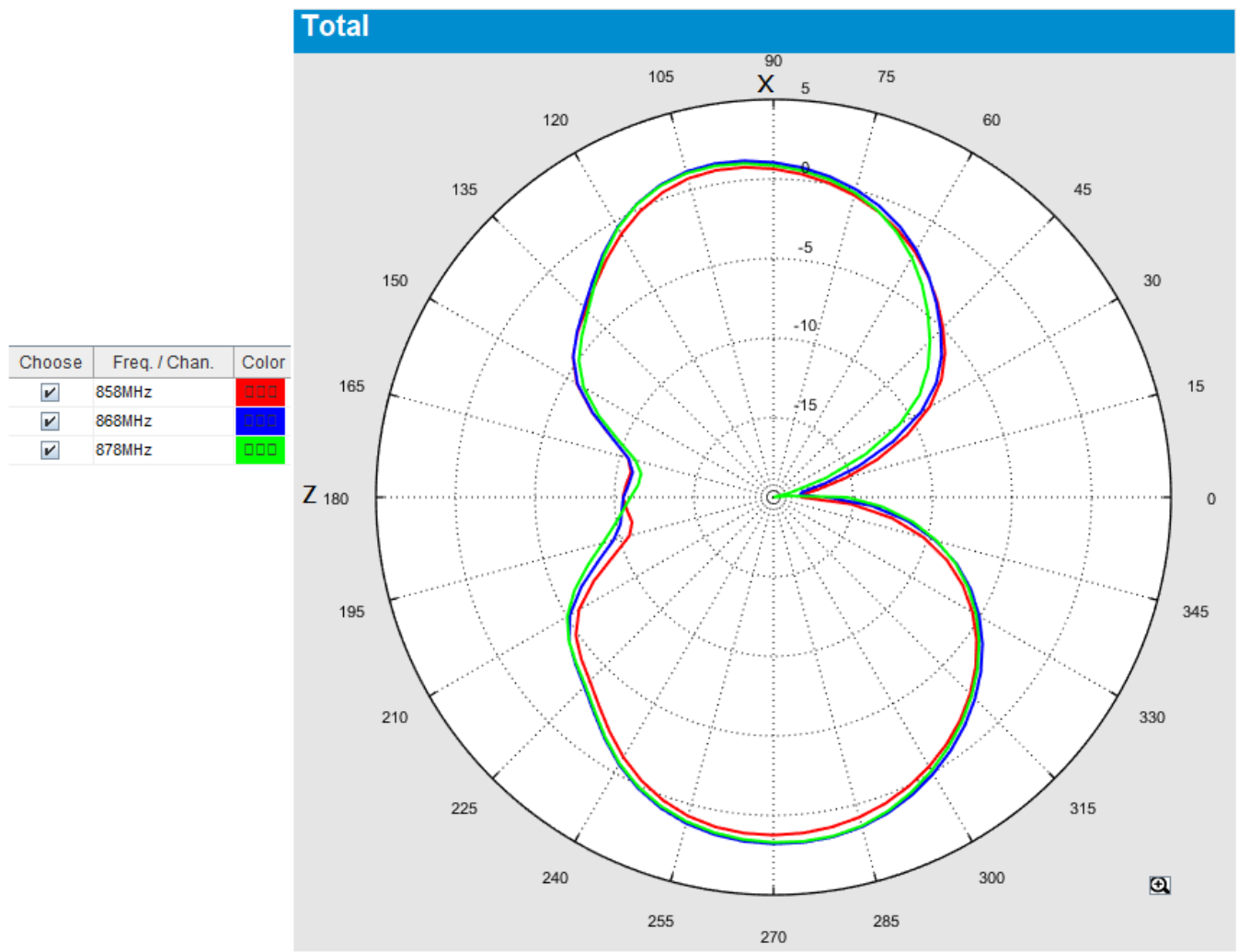
# Test Data (Return Loss & VSWR)



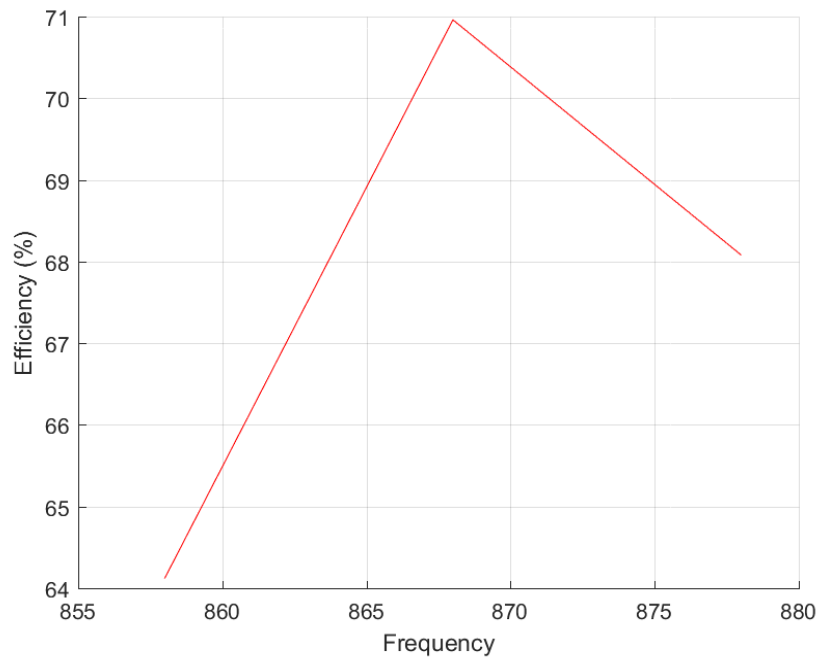
### 3D Test Photo



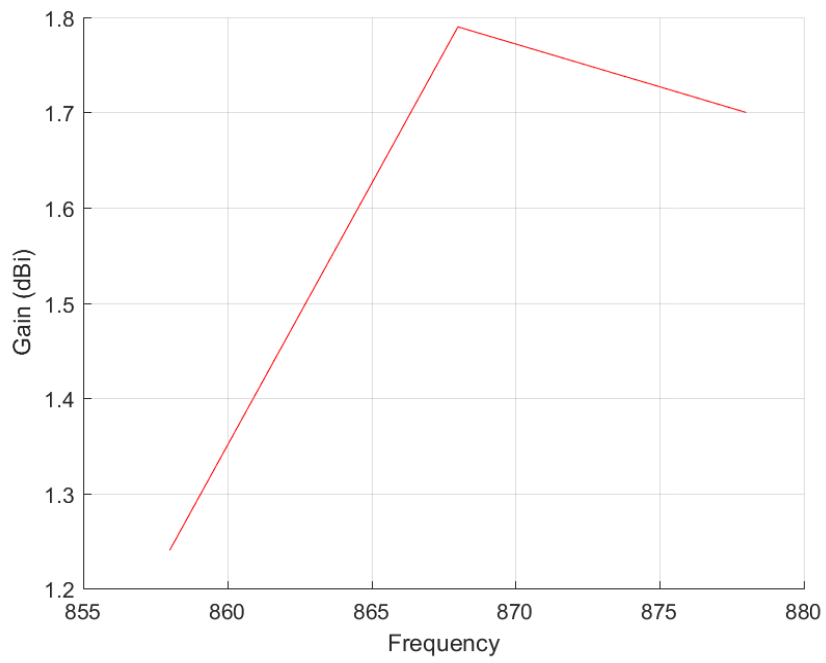
### 3D Test Data



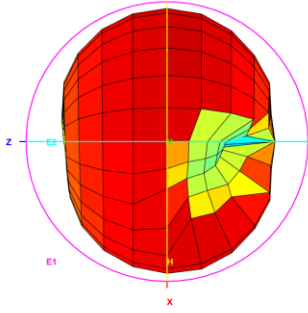
Total\_Efficiency (%)



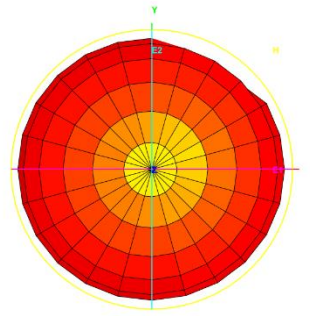
Total\_Gain (dBi)



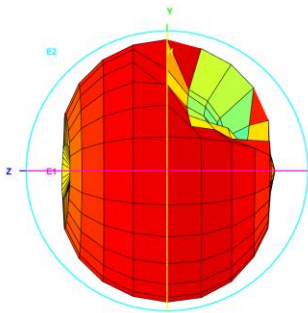
Total\_3D\_Top View\_858MHz



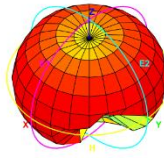
Total\_3D\_Front View\_858MHz



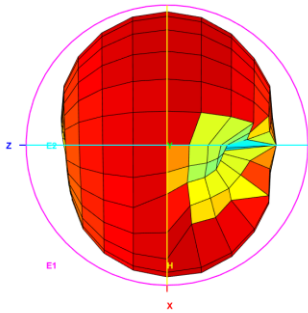
Total\_3D\_Left View\_858MHz



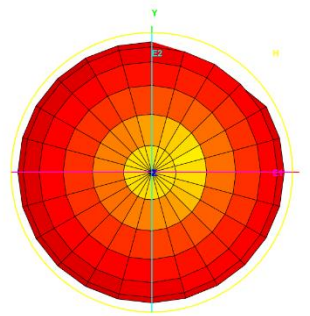
Total\_3D\_Side View 1\_858MHz



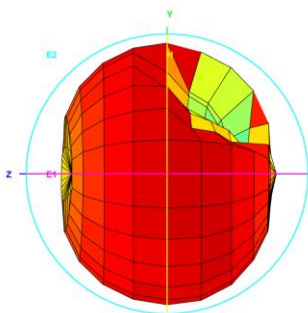
Total\_3D\_Top View\_868MHz



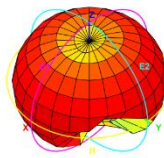
Total\_3D\_Front View\_868MHz



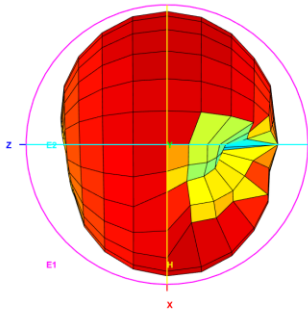
Total\_3D\_Left View\_868MHz



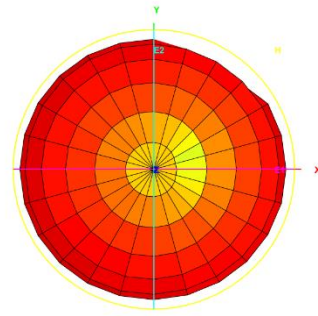
Total\_3D\_Side View 1\_868MHz



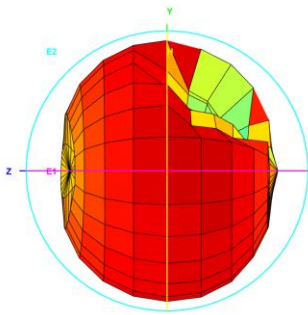
Total\_3D\_Top View\_878MHz



Total\_3D\_Front View\_878MHz



Total\_3D\_Left View\_878MHz



Total\_3D\_Side View 1\_878MHz

