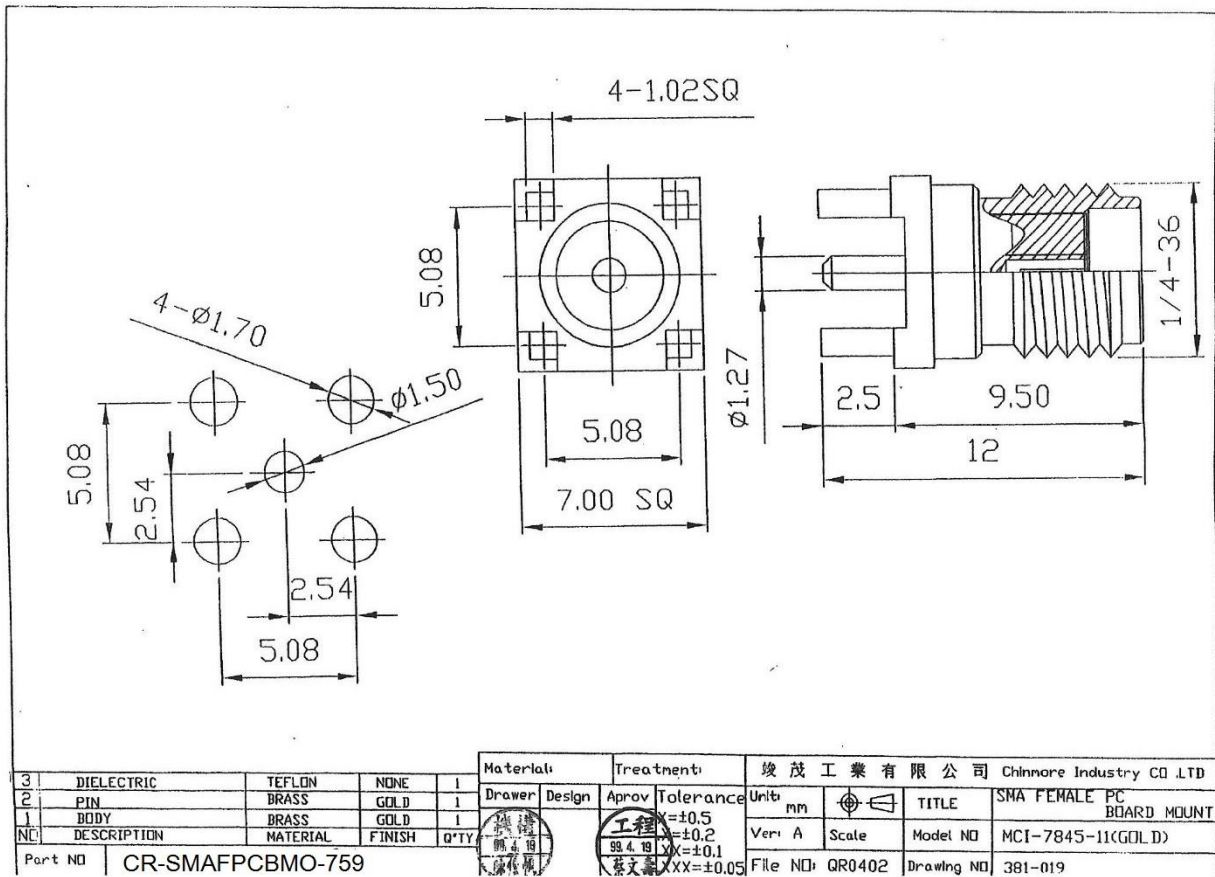




CHINMORE INDUSTRY CO.,LTD

Specification

1. Product Type: SMA Series Connector
 2. *Chinmore's* No: CR-SMAFPCBM0-759H
- ※RoHS Compliant
- ※ISO 9001 & ISO 14001



Specifications

Electrical		
Impedance	50 ohm	
Frequency Range	0-12.4 GHz on Flexible cable 0-18 GHz on Semi-rigid cable	
Working Voltage	RG-178: 170 VRMS max. RG-316,.085":250 VRMS max. RG-142,.141":335 VRMS max.	
Dielectric Withstanding Voltage	RG-178: 500 VRMS max. RG-316,.085":750 VRMS max. RG-142,.141":1000 VRMS max.	
VSWR	Straight	1.3 max
	Right Angle	1.5 max
Contact Resistance	Center Contact	6 Milliohms max.
	Outer Contact	2 Milliohms max.
Insulator Resistance	5000 Megohms min.	
Material		
Parts Name	Material	Finish
Body , Metal Parts	Brass Per	Gold 3 micro-inches
Center Contacts	Brass Per	Gold 3 micro-inches
Insulators	Teflon	None
Crimp ferrules	Annealed Brass	Gold 3 micro-inches
Clamp Gaskets	Silicone rubber	None
Mechanical & Environmental		
Engagement Force	2 in-lbs. max	
Disengagement Force	2 in-lbs. max	
Coupling Nut Retention	60lbs. max	
Coupling Proof Torque	15 in-lbs. max	
Contact Retention	6 in-lbs. max	
Durability(Mating)	500 cycles min	
Temperature Range	-65° C to -165°	