

Specification

1.1 Product Type: LTE(4G)

Adhesive (On-Glass)Antenna

1.2 Product's No: C11

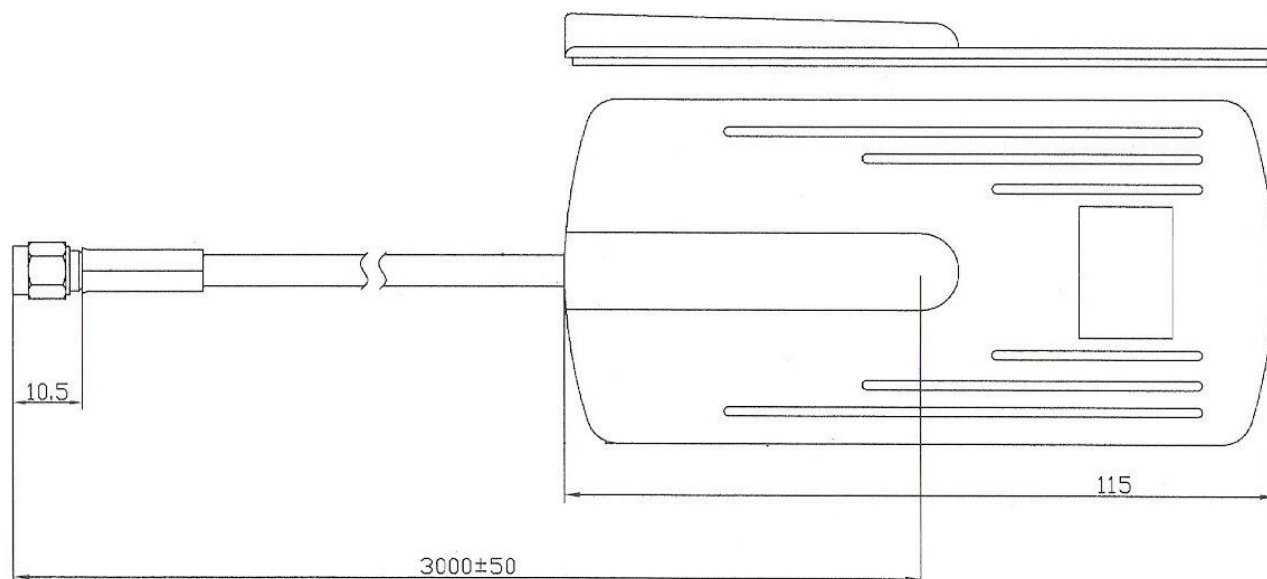
With Cable RG58 3M

SMA M

1.3 Product's Photo:



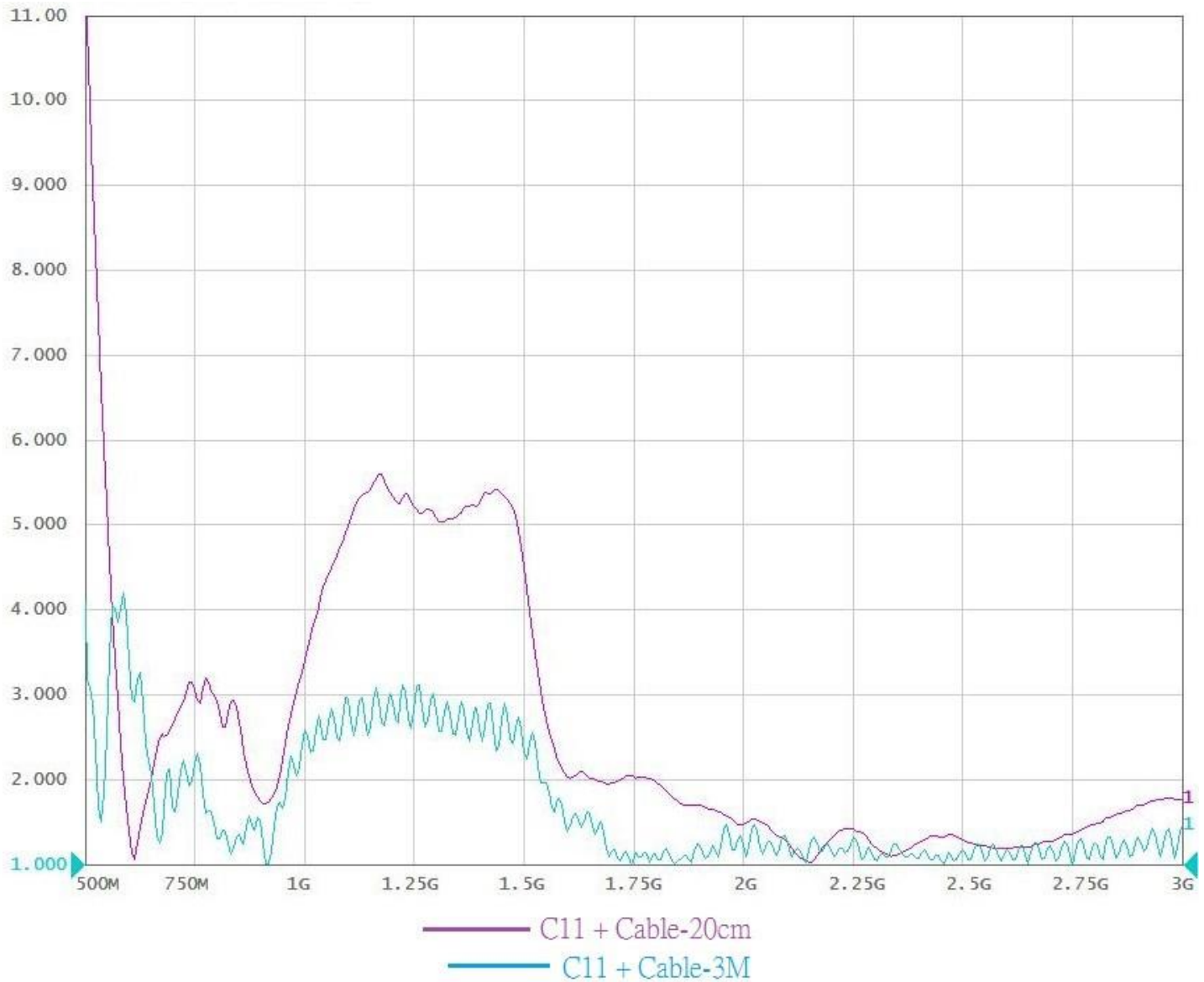
2.1 Technical Drawing:



Frequency	800 / 1710 / 2170 / 2700 MHz
V.S.W.R	2.0:1
Gain	3~5 dBi
Connector	SMA M (Gold)
Dimension	115 mm

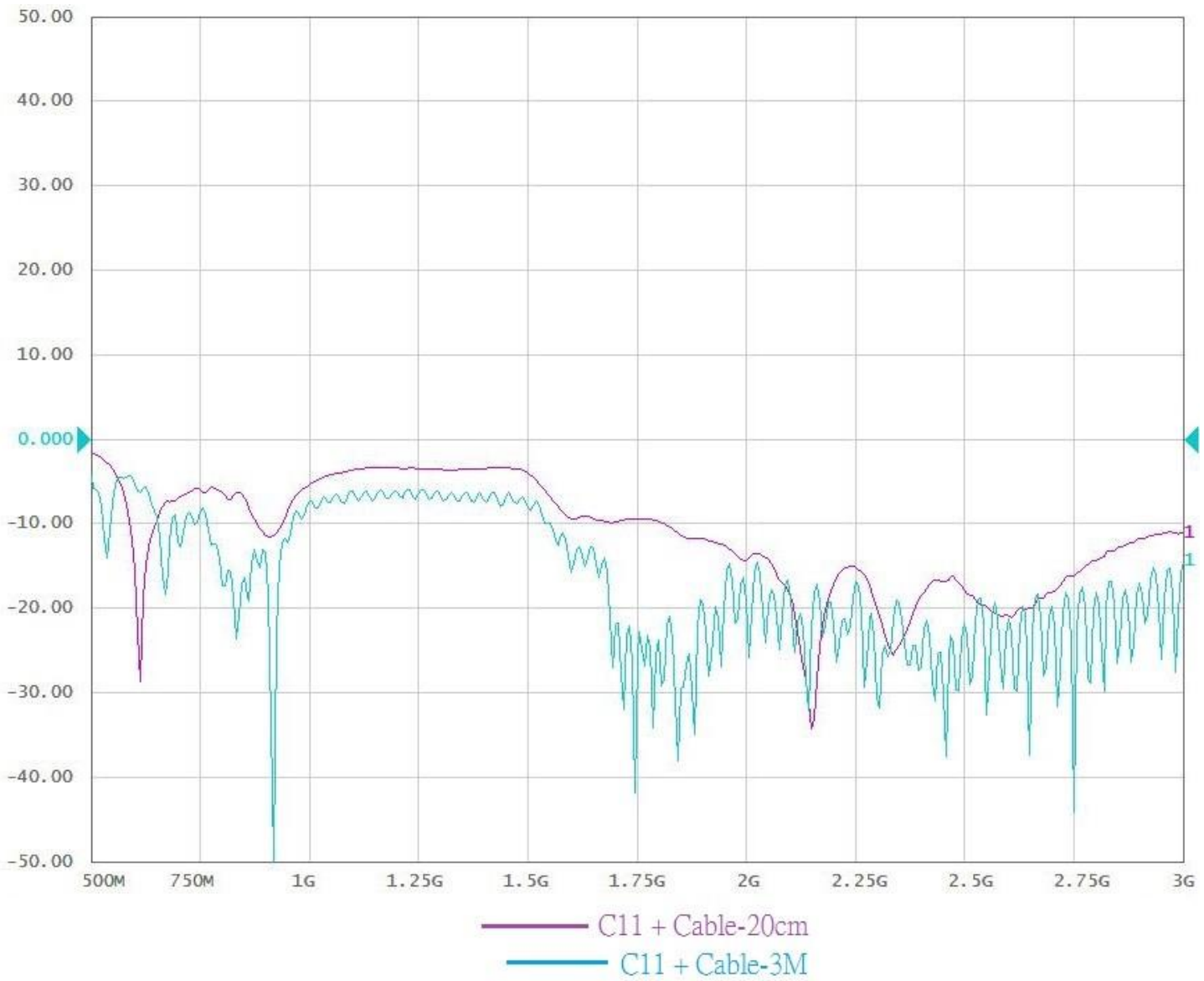
3.1 Test Report:

VSWR(3M)



Frequency	700 MHz	880 MHz	960 MHz	1710 MHz
VSWR	1.5	1.2	2.1	1.1
Frequency	1880 MHz	2170 MHz	2700 MHz	
VSWR	1.0	1.1	1.2	

Return Loss (3M)



Frequency	700 MHz	880 MHz	960 MHz	1710 MHz
Return Loss	-12.9 dBi	-19.4 dBi	-8.8 dBi	-25.8 dBi
Frequency	1880 MHz	2170 MHz	2700 MHz	
Return Loss	-28.1 dBi	-26.4 dBi	-20.3 dBi	