

Specification

1.1 Product Type: LTE(4G)

Adhesive Antenna

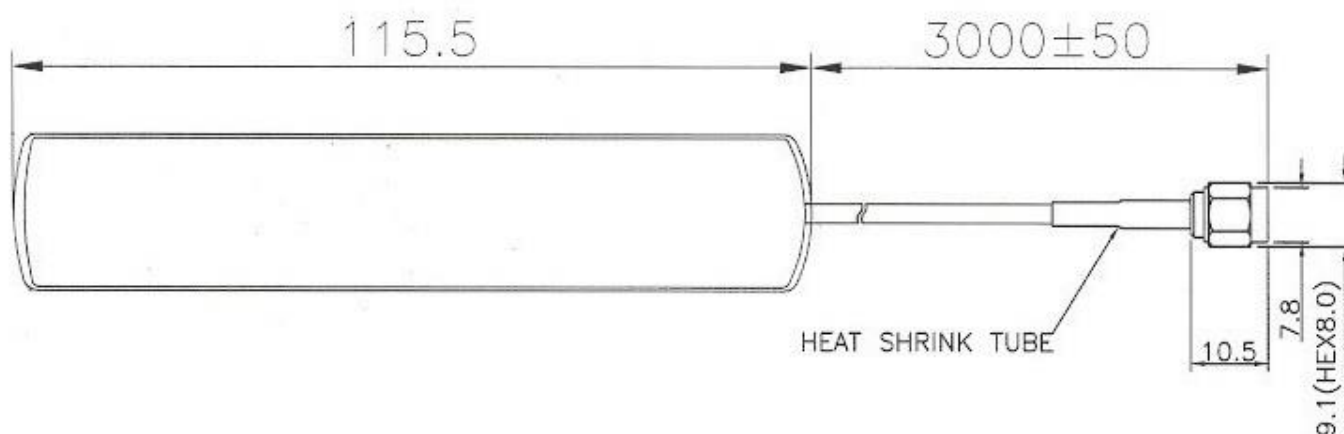
1.2 Product's No: C09-16

With Cable RG174A/U 3M
SMA M

1.3 Product's Photo:



2.1 Technical Drawing:

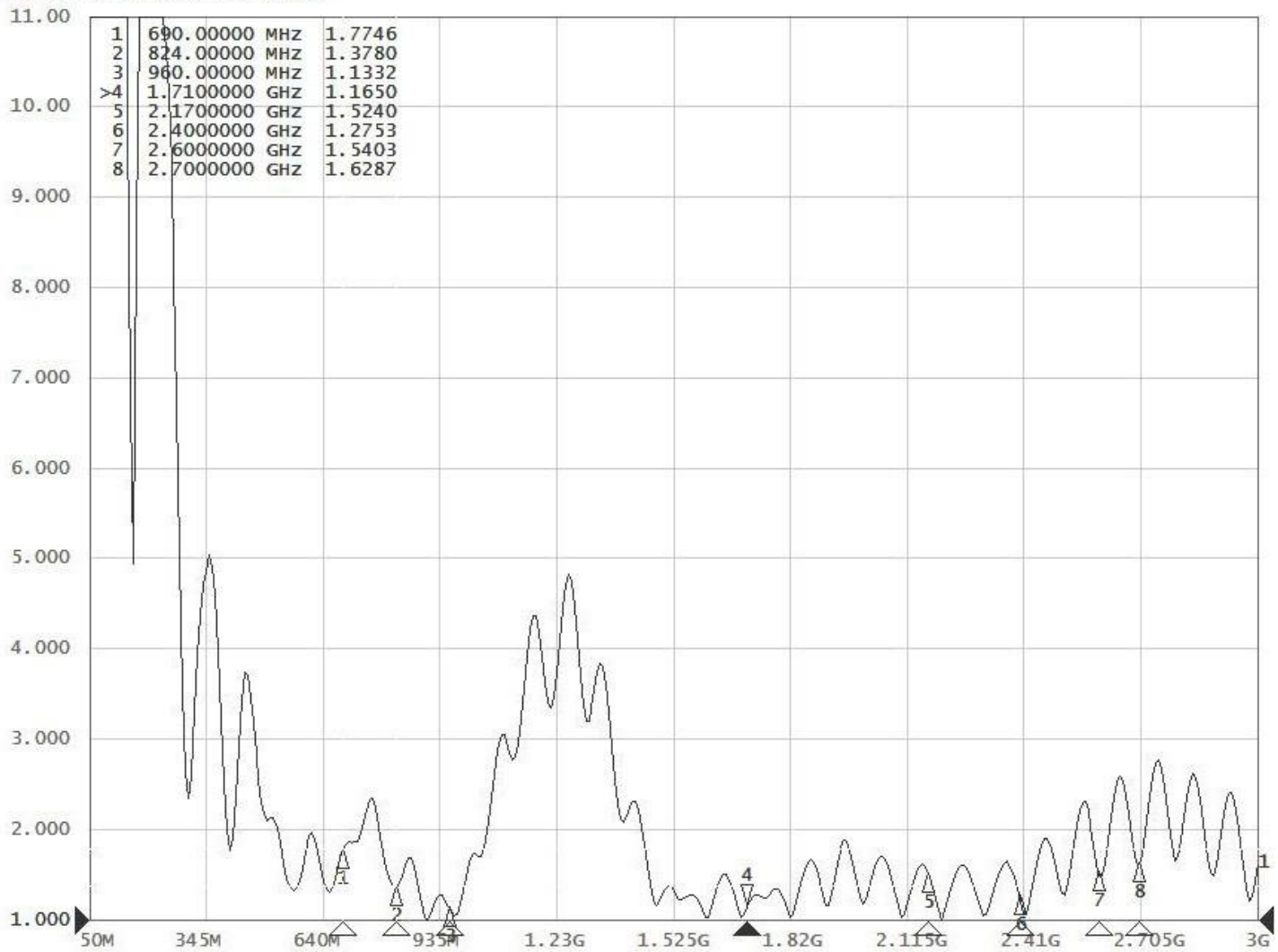


Frequency	690~960/1710~2170/2400~2700 MHz
V.S.W.R	1.8:1
Cable type	RG174A/U 3M
Connector	SMA M
Color	Black
Sticker Color	RED

3.1 Test Report:

VSWR

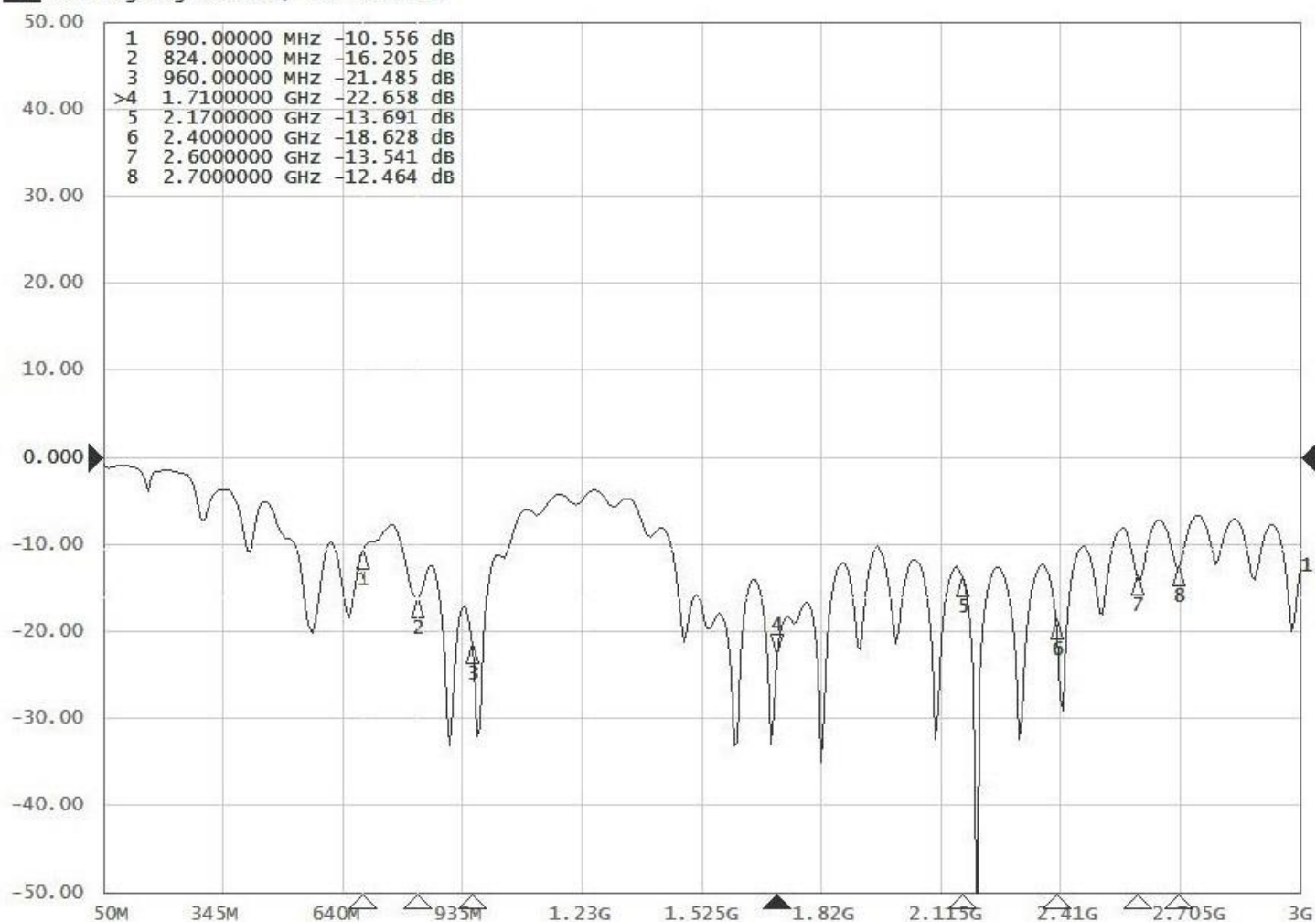
S11 SWR 1.000/ Ref 1.000



Frequency	690 MHz	824 MHz	960 MHz	1710 MHz
VSWSR	1.77	1.37	1.13	1.16
Frequency	2170 MHz	2400 MHz	2600 MHz	2700 MHz
VSWSR	1.52	1.27	1.54	1.62

Return Loss

Tr1 S11 Log Mag 10.00dB/ Ref 0.000dB



Frequency	690 MHz	824 MHz	960 MHz	1710 MHz
Return Loss	-10.55 dBi	-16.20 dBi	-21.48 dBi	-22.65 dBi
Frequency	2170 MHz	2400 MHz	2600 MHz	2700 MHz
Return Loss	-13.69 dBi	-18.62 dBi	-13.54 dBi	-12.46 dBi