



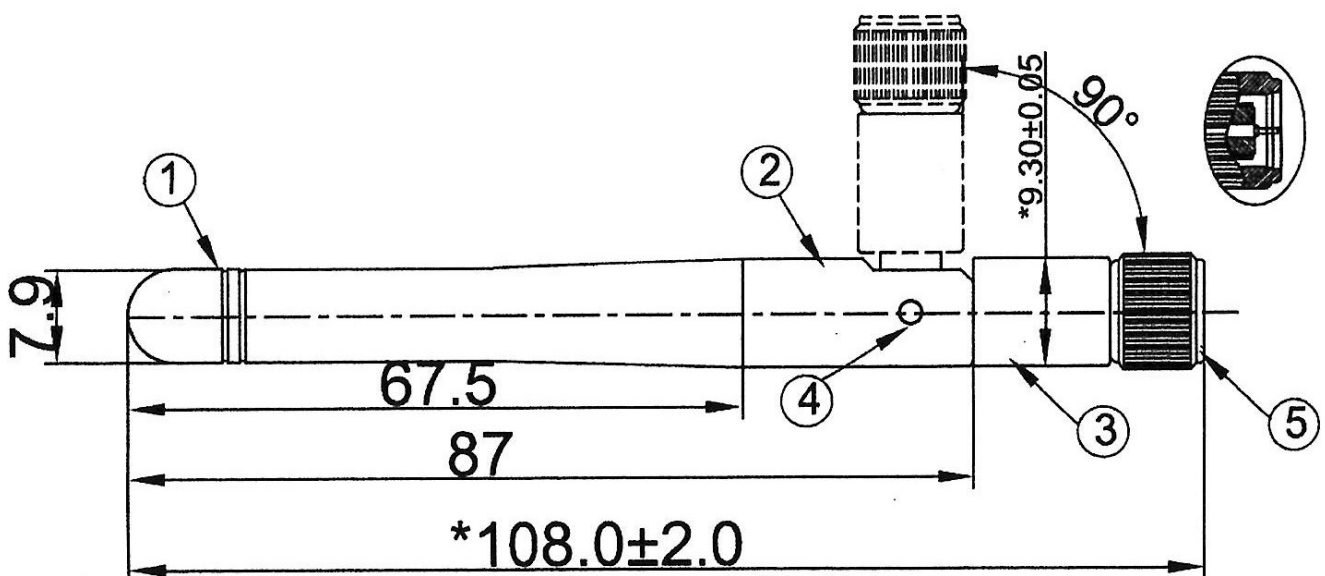
CHINMORE INDUSTRY CO.,LTD

Specification

1. Rubber Stubby Antenna for 2.4GHz
2. *Chinmore's* No: EM-B10.0X106-069
3. Frequency: 2.4~2.5 GHz
4. VSWR: 2.0 MAX
5. Connector: SMA PLUG
6. Cable Type: RG178
7. Operating Temp: $-45^{\circ}\text{C} \sim +85^{\circ}\text{C}$

※RoHS Compliant

※ISO 9001 & ISO 14001



Return Loss测试



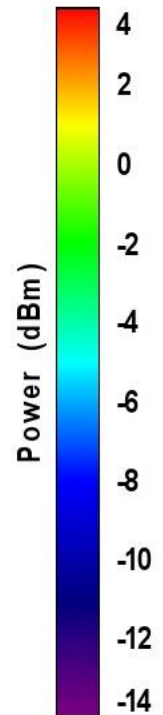
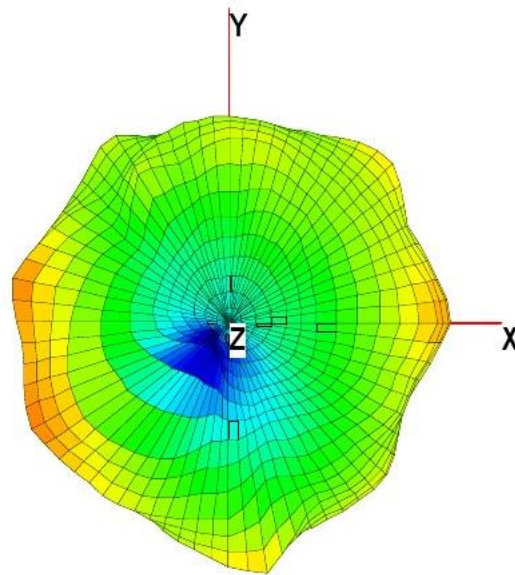
VSWR测试



Gain测试

Total

Azimuth = 0.0
 Elevation = 0.0
 Roll = 0.0



Passive Test For wifi

Freq (MHz)	Efficiency (%)	Peak EIRP (dBm)	Gain (dBi)	Gain (dBd)	AVG.Gain (dBi)	Directivity (dB)
2400	42.34	-3.73	2.21	0.06	-3.73	6.52
2410	43.17	-3.65	2.23	0.08	-3.65	8.11
2420	43.46	-3.62	2.23	0.08	-3.62	8.09
2430	45.22	-3.45	2.08	-0.07	-3.45	6.08
2440	45.10	-3.46	2.88	0.73	-3.46	6.27
2450	43.87	-3.58	2.57	0.42	-3.58	5.49
2460	42.75	-3.69	2.81	0.66	-3.69	6.98
2470	43.81	-3.58	2.97	0.82	-3.58	5.42
2480	44.90	-3.48	2.14	-0.01	-3.48	5.36
2490	45.84	-3.39	2.15	0	-3.39	5.03
2500	46.53	-3.32	2.63	0.48	-3.32	5.78